

Bourdon Tube Pressure Gauges Model 113.53, Standard Series with Liquid Filling

WIKA Data Sheet PM 01.08

Applications

- For measuring points with high dynamic pressure pulsations or vibrations
- For gaseous and liquid media that are not highly viscous or crystallising and will not attack copper alloy parts
- Hydraulics
- Compressors

Special Features

- Vibration and shock resistant
- Particularly robust design
- Stainless steel case
- Scale ranges up to 0 ... 400 bar



Bourdon Tube Pressure Gauge Model 113.53

Description

Design

EN 837-1

Nominal size in mm

40, 80, 100

Accuracy class

NS 40: 2.5

NS 80, 100: 1.6

Scale ranges

0 ... 1 to 0 ... 400 bar

or all other equivalent vacuum or combined pressure and vacuum ranges

Pressure limitation

Steady: 3/4 x full scale value

Fluctuating: 2/3 x full scale value

Short time: full scale value

Operating temperature

Ambient: -20 ... +60 °C

Medium: +60 °C maximum

Temperature effect

When the temperature of the measuring system deviates from the reference temperature (+20 °C):

max. ± 0.4 %/10 K of the span

Ingress protection

IP 65 per EN 60 529 / IEC 529

Standard version

Process connection

Cu-alloy,

lower mount (LM) or centre back mount (CBM),

NS 40: G 1/8 B (male), 14 mm flats

NS 80: G 1/2 B (male), 14 mm flats

NS 100: G 1/2 B (male), 22 mm flats

Pressure element

< 60 bar: Cu-alloy, C-type

≥ 60 bar: Cu-alloy, helical type

Movement

Cu-alloy

Dial

Aluminium, white, black lettering, with pointer stop pin

Pointer

Aluminium, black

Window

Plastic, crystal-clear

Case

Natural finish stainless steel, with pressure relief at case circumference, 12 o'clock.

Ranges ≤ 0 ... 16 bar with compensating valve to vent case.

Bezel ring

Crimp ring, glossy finish stainless steel, triangular bezel

Liquid filling

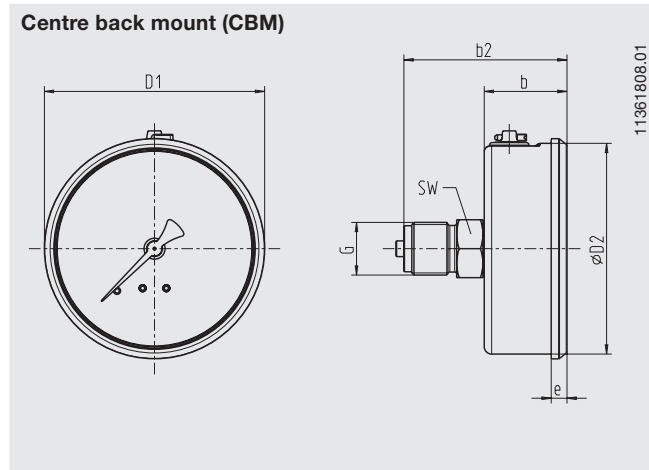
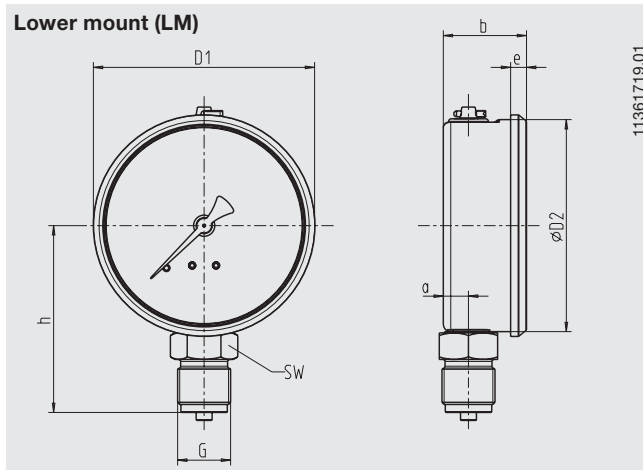
Glycerine 99.7 %

Options

- NS 80, 100: Panel mounting flange, stainless steel, for back mount connection
- NS 80, 100: Surface mounting flange, stainless steel

Dimensions in mm

Standard version



| NS | Dimensions in mm | | | | | | | | | Weight in kg |
|-----|------------------|---------|----------------------|----------------|----------------|---|---------|-------|----|--------------|
| | a | b ± 0.5 | b ₂ ± 0.5 | D ₁ | D ₂ | e | G | h ± 1 | SW | |
| 40 | 9.5 | 28 | 50 | 47 | 40 | 6 | G 1/8 B | 41 | 14 | 0.15 |
| 80 | 9.5 | 31.5 | 62 | 84 | 80 | 6 | G 1/2 B | 70 | 22 | 0.35 |
| 100 | 10 | 35 | 65 | 107 | 100 | 8 | G 1/2 B | 80 | 22 | 0.55 |

Process connection per EN 837-1 / 7.3

Ordering information

Model / Nominal size / Scale range / Connection size / Connection location / Options

Modifications may take place and materials specified may be replaced by others without prior notice.

Specifications and dimensions given in this leaflet represent the state of engineering at the time of printing.